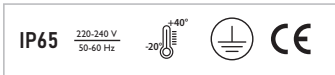


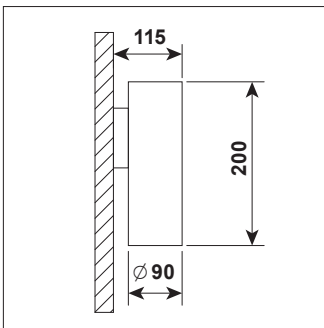
ARKI TUBE 1

Wall mounted IP65 LED luminaire.

Mounting:	Directly on the wall
Body material:	Aluminium and steel
Colour:	Standard Gray 9006, other RAL colours on request (please add RAL code after index number)
LED module:	Signify (Philips), Osram, Tridonic or equivalent LED module included..
Colour temperature:	3000K or 4000K, other on request
Colour Rendering Index (CRI):	>80 in standard
Driver:	EVG/DALI on request
Emergency unit:	N/A
Movement sensor:	N/A
Daylight control sensor:	N/A
Operating temperature range:	- 20°C ... +40°C
IP Class:	IP65
Power:	220-240V 50/60Hz
Lighting direction:	Direct
Reflector type:	Aluminium glossy or mat
Light distribution:	Symmetric
Reflector beam angle:	10°/25°/35°/55°
Diffuser:	Clear glass
General data:	5 Years standard warranty



Drawing



Energy saving MasterConnect wireless lighting control system with daylight and movement detection technology on request.



Different lumen output or wattage available on request

All other technical features such as: Luminaire Efficacy, LOR, Lumen maintenance L/B etc. available in our pricelist

Wattage of products may vary due to constant LED efficacy improvements. Luminous flux & Luminaire Power tolerance +/- 10%.

System power consumption (LED module & driver) depends on components used

Efficacy depends on type of LED's, electronics, optics and diffuser and may differ from shown in our data pages. Most up to date information can be found in our lighting data file database.

Available versions



AR KI TUBE 1

Product code	Product name	Gross Lumen [lm]	Nett Lumen [lm]	Power [W]	Efficacy [lm/W]	Colour temperature [K]	Optics	Diameter [mm]	Height [mm]	Nett Weight [kg]
Wall mounted luminaire, light down										
70.00251.83.E.10.LNS.CG	AR KI TUBE 1/700lm/830/E/10/LNS/CG	700	665	6	111	3000	10°	Ø 90	200	0,8
70.00251.83.E.25.LNS.CG	AR KI TUBE 1/700lm/830/E/25/LNS/CG	700	665	6	111	3000	25°	Ø 90	200	0,8
70.00251.83.E.35.LNS.CG	AR KI TUBE 1/700lm/830/E/35/LNS/CG	700	665	6	111	3000	35°	Ø 90	200	0,8
70.00251.83.E.55.LNS.CG	AR KI TUBE 1/700lm/830/E/55/LNS/CG	700	665	6	111	3000	55°	Ø 90	200	0,8
70.00251.84.E.10.LNS.CG	AR KI TUBE 1/700lm/840/E/10/LNS/CG	700	665	6	111	4000	10°	Ø 90	200	0,8
70.00251.84.E.25.LNS.CG	AR KI TUBE 1/700lm/840/E/25/LNS/CG	700	665	6	111	4000	25°	Ø 90	200	0,8
70.00251.84.E.35.LNS.CG	AR KI TUBE 1/700lm/840/E/35/LNS/CG	700	665	6	111	4000	35°	Ø 90	200	0,8
70.00251.84.E.55.LNS.CG	AR KI TUBE 1/700lm/840/E/55/LNS/CG	700	665	6	111	4000	55°	Ø 90	200	0,8