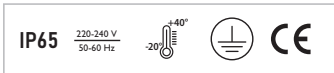


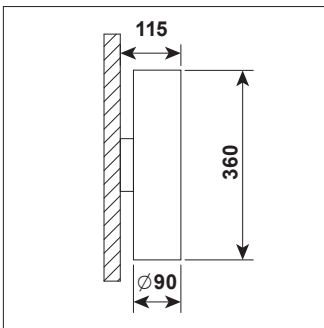
## ARKI TUBE 2

Wall mounted IP65 LED luminaire.

|                                      |   |
|--------------------------------------|---|
| <b>Mounting:</b>                     | Directly on the wall  |
| <b>Body material:</b>                | Aluminium and steel   |
| <b>Colour:</b>                       | Standard Gray 9006, other RAL colours on request (please add RAL code after index number) |
| <b>LED module:</b>                   | Signify (Philips), Osram, Tridonic or equivalent LED module included..                    |
| <b>Colour temperature:</b>           | 3000K or 4000K, other on request  |
| <b>Colour Rendering Index (CRI):</b> | >80 in standard   |
| <b>Driver:</b>                       | EVG/DALI on request   |
| <b>Emergency unit:</b>               | N/A   |
| <b>Movement sensor:</b>              | N/A   |
| <b>Daylight control sensor:</b>      | N/A   |
| <b>Operating temperature range:</b>  | - 20°C ... +40°C  |
| <b>IP Class:</b>                     | IP65  |
| <b>Power:</b>                        | 220-240V 50/60Hz  |
| <b>Lighting direction:</b>           | Up and down   |
| <b>Reflector type:</b>               | Aluminium glossy or mat   |
| <b>Light distribution:</b>           | Symmetric   |
| <b>Reflector beam angle:</b>         | 10°/25°/35°/55°   |
| <b>Diffuser:</b>                     | Clear glass   |
| <b>General data:</b>                 | 5 Years standard warranty   |



### Drawing



Energy saving MasterConnect wireless lighting control system with daylight and movement detection technology on request.



Different lumen output or wattage available on request

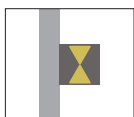
All other technical features such as: Luminaire Efficacy, LOR, Lumen maintenance L/B etc. available in our pricelist

Wattage of products may vary due to constant LED efficacy improvements. Luminous flux & Luminaire Power tolerance +/- 10%.

System power consumption (LED module & driver) depends on components used

Efficacy depends on type of LED's, electronics, optics and diffuser and may differ from shown in our data pages. Most up to date information can be found in our lighting data file database.

## Available versions



### AR KI TUBE 2

| Product code                                 | Product name                        | Gross Lumen [lm] | Nett Lumen [lm] | Power [W] | Efficacy [lm/W] | Colour temperature [K] | Optics | Diameter [mm] | Height [mm] | Nett Weight [kg] |
|--|-------------------------------------|------------------|-----------------|-----------|-----------------|------------------------|--------|---------------|-------------|------------------|
| <b>Wall mounted luminaire, light up/down</b> |                                     |                  |                 |           |                 |                        |        |               |             |                  |
| 70.00250.83.E.10.LNS.CG                      | AR KI TUBE 2/1400lm/830/E/10/LNS/CG | 1400             | 1330            | 12        | 111             | 3000                   | 10°    | Ø 90          | 360         | 1,6              |
| 70.00250.83.E.25.LNS.CG                      | AR KI TUBE 2/1400lm/830/E/25/LNS/CG | 1400             | 1330            | 12        | 111             | 3000                   | 25°    | Ø 90          | 360         | 1,6              |
| 70.00250.83.E.35.LNS.CG                      | AR KI TUBE 2/1400lm/830/E/35/LNS/CG | 1400             | 1330            | 12        | 111             | 3000                   | 35°    | Ø 90          | 360         | 1,6              |
| 70.00250.83.E.55.LNS.CG                      | AR KI TUBE 2/1400lm/830/E/55/LNS/CG | 1400             | 1330            | 12        | 111             | 3000                   | 55°    | Ø 90          | 360         | 1,6              |
| 70.00250.84.E.10.LNS.CG                      | AR KI TUBE 2/1400lm/840/E/10/LNS/CG | 1400             | 1330            | 12        | 111             | 4000                   | 10°    | Ø 90          | 360         | 1,6              |
| 70.00250.84.E.25.LNS.CG                      | AR KI TUBE 2/1400lm/840/E/25/LNS/CG | 1400             | 1330            | 12        | 111             | 4000                   | 25°    | Ø 90          | 360         | 1,6              |
| 70.00250.84.E.35.LNS.CG                      | AR KI TUBE 2/1400lm/840/E/35/LNS/CG | 1400             | 1330            | 12        | 111             | 4000                   | 35°    | Ø 90          | 360         | 1,6              |
| 70.00250.84.E.55.LNS.CG                      | AR KI TUBE 2/1400lm/840/E/55/LNS/CG | 1400             | 1330            | 12        | 111             | 4000                   | 55°    | Ø 90          | 360         | 1,6              |