

CLIN 600 SURF OP

Surface mounted IP65 LED luminaire.

Mounting:	Directly on the ceiling
Body material:	Steel and aluminium
Colour:	Standard White RAL 9016, other RAL colours on request
LED module:	Signify (Philips) or equivalent LED module included
Colour temperature:	3000K/4000K/Tunable White
Colour Rendering Index (CRI):	>80 in standard, >90 on request
Driver:	EVG/DALI/MasterConnect on request
Emergency unit:	on request
Movement sensor:	on request
Daylight control sensor:	on request
Operating temperature range:	0°C ... +40°C
IP Class:	IP65
Power:	220-240V 50/60Hz
Lighting direction:	Direct lighting
Reflector type:	Aluminium white
Light distribution:	Symmetric
Diffuser:	Clear glass with opalic film
General data:	5 Years standard warranty

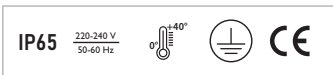
Different lumen output or wattage available on request

All other technical features such as: Luminaire Efficacy, LOR, Lumen maintenance L/B etc. available in our pricelist

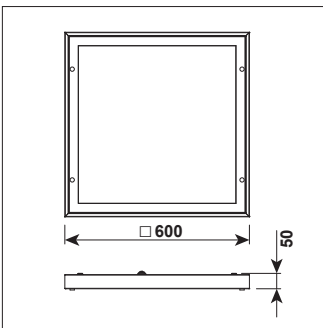
Wattage of products may vary due to constant LED efficacy improvements. Luminous flux & Luminaire Power tolerance +/- 10%.

System power consumption (LED module & driver) depends on components used

Efficacy depends on type of LED's, electronics, optics and diffuser and may differ from shown in our data pages. Most up to date information can be found in our lighting data file database.



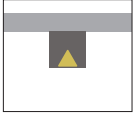
Drawing



Energy saving MasterConnect wireless lighting control system with daylight and movement detection technology on request.



Available versions



CLIN 600 SURF OP

Product code	Product name	Gross Lumen [lm]	Nett Lumen [lm]	Power [W]	Efficacy [lm/W]	Colour temperature [K]	Length [mm]	Width [mm]	Height [mm]	Nett Weight [kg]
Surface mounted IP65 LED luminaire.										
12.00160.83.E.OP.CG	CLIN 600 SURF OP/5000lm/830/E/OP/CG	5000	4250	30	142	3000	600	600	75	7,00
12.00160.84.E.OP.CG	CLIN 600 SURF OP/5000lm/840/E/OP/CG	5000	4250	30	142	4000	600	600	75	7,00
12.00160.83.DA.OP.CG	CLIN 600 SURF OP/5000lm/830/DA/OP/CG	5000	4250	30	142	3000	600	600	75	7,00
12.00160.83.DA.OP.CG	CLIN 600 SURF OP/5000lm/840/DA/OP/CG	5000	4250	30	142	4000	600	600	75	7,00