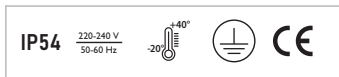


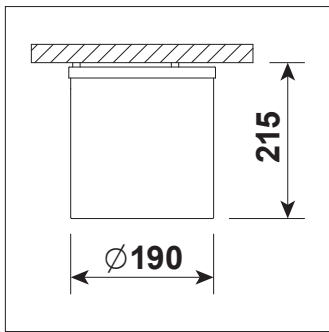
DLN 190 DR

Surface mounted IP54 LED luminaire.

Mounting:	Directly on the ceiling
Body material:	Aluminium and steel
Colour:	Standard White RAL 9016, other RAL colours on request (please add RAL colour after index number)
LED module:	Signify (Philips), Osram, Tridonic or equivalent LED module included..
Colour temperature:	3000K or 4000K, other on request
Colour Rendering Index (CRI):	>80 in standard
Driver:	EVG/DALI on request
Emergency unit:	N/A
Movement sensor:	N/A
Daylight control sensor:	N/A
Operating temperature range:	- 20°C ... +40°C
IP Class:	IP54
Power:	220-240V 50/60Hz
Lighting direction:	Direct
Reflector type:	Aluminium glossy or mat
Light distribution:	Symmetric
Reflector beam angle:	12°/22°/36°/56°
Diffuser:	Clear glass
General data:	5 Years standard warranty



Drawing



Different lumen output or wattage available on request

All other technical features such as: Luminaire Efficacy, LOR, Lumen maintenance L/B etc. available in our pricelist

Wattage of products may vary due to constant LED efficacy improvements. Luminous flux & Luminaire Power tolerance +/- 10%.

System power consumption (LED module & driver) depends on components used

Efficacy depends on type of LED's, electronics, optics and diffuser and may differ from shown in our data pages. Most up to date information can be found in our lighting data file database.

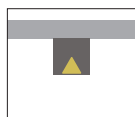
Energy saving MasterConnect wireless lighting control system with daylight and movement detection technology on request.

MC control

Zigbee

Bluetooth

Available versions



DLN 190 DR

Product code	Product name	Gross Lumen [lm]	Nett Lumen [lm]	Power [W]	Efficacy [lm/W]	Colour temperature [K]	Optics	Diameter [mm]	Height [mm]	Nett Weight [kg]
Surface mounted, light down										
70.00180.83.E.12.CG	DLN 190 DR/1300lm/830/E/12/CG	1300	1170	8	146	3000	12°	Ø 190	215	2,5
70.00180.83.E.22.CG	DLN 190 DR/1300lm/830/E/22/CG	1300	1170	8	146	3000	22°	Ø 190	215	2,5
70.00180.83.E.36.CG	DLN 190 DR/1300lm/830/E/36/CG	1300	1170	8	146	3000	36°	Ø 190	215	2,5
70.00180.83.E.56.CG	DLN 190 DR/1300lm/830/E/56/CG	1300	1170	8	146	3000	56°	Ø 190	215	2,5
70.00180.84.E.12.CG	DLN 190 DR/1300lm/840/E/12/CG	1300	1170	8	146	4000	12°	Ø 190	215	2,5
70.00180.84.E.22.CG	DLN 190 DR/1300lm/840/E/22/CG	1300	1170	8	146	4000	22°	Ø 190	215	2,5
70.00180.84.E.36.CG	DLN 190 DR/1300lm/840/E/36/CG	1300	1170	8	146	4000	36°	Ø 190	215	2,5
70.00180.84.E.56.CG	DLN 190 DR/1300lm/840/E/56/CG	1300	1170	8	146	4000	56°	Ø 190	215	2,5
70.00181.83.E.12.CG	DLN 190 DR/2000lm/830/E/12/CG	2000	1800	12	150	3000	12°	Ø 190	215	2,5
70.00181.83.E.22.CG	DLN 190 DR/2000lm/830/E/22/CG	2000	1800	12	150	3000	22°	Ø 190	215	2,5
70.00181.83.E.36.CG	DLN 190 DR/2000lm/830/E/36/CG	2000	1800	12	150	3000	36°	Ø 190	215	2,5
70.00181.83.E.56.CG	DLN 190 DR/2000lm/830/E/56/CG	2000	1800	12	150	3000	56°	Ø 190	215	2,5
70.00181.84.E.12.CG	DLN 190 DR/2000lm/840/E/12/CG	2000	1800	12	150	4000	12°	Ø 190	215	2,5
70.00181.84.E.22.CG	DLN 190 DR/2000lm/840/E/22/CG	2000	1800	12	150	4000	22°	Ø 190	215	2,5
70.00181.84.E.36.CG	DLN 190 DR/2000lm/840/E/36/CG	2000	1800	12	150	4000	36°	Ø 190	215	2,5
70.00181.84.E.56.CG	DLN 190 DR/2000lm/840/E/56/CG	2000	1800	12	150	4000	56°	Ø 190	215	2,5
70.00182.83.E.12.CG	DLN 190 DR/3000lm/830/E/12/CG	3000	2700	20	135	3000	12°	Ø 190	215	2,5
70.00182.83.E.22.CG	DLN 190 DR/3000lm/830/E/22/CG	3000	2700	20	135	3000	22°	Ø 190	215	2,5
70.00182.83.E.36.CG	DLN 190 DR/3000lm/830/E/36/CG	3000	2700	20	135	3000	36°	Ø 190	215	2,5
70.00182.83.E.56.CG	DLN 190 DR/3000lm/830/E/56/CG	3000	2700	20	135	3000	56°	Ø 190	215	2,5
70.00182.84.E.12.CG	DLN 190 DR/3000lm/840/E/12/CG	3000	2700	20	135	4000	12°	Ø 190	215	2,5
70.00182.84.E.22.CG	DLN 190 DR/3000lm/840/E/22/CG	3000	2700	20	135	4000	22°	Ø 190	215	2,5
70.00182.84.E.36.CG	DLN 190 DR/3000lm/840/E/36/CG	3000	2700	20	135	4000	36°	Ø 190	215	2,5
70.00182.84.E.56.CG	DLN 190 DR/3000lm/840/E/56/CG	3000	2700	20	135	4000	56°	Ø 190	215	2,5
70.00183.83.E.12.CG	DLN 190 DR/4500lm/830/E/12/CG	4500	4050	32	127	3000	12°	Ø 190	215	2,5
70.00183.83.E.22.CG	DLN 190 DR/4500lm/830/E/22/CG	4500	4050	32	127	3000	22°	Ø 190	215	2,5
70.00183.83.E.36.CG	DLN 190 DR/4500lm/830/E/36/CG	4500	4050	32	127	3000	36°	Ø 190	215	2,5
70.00183.83.E.56.CG	DLN 190 DR/4500lm/830/E/56/CG	4500	4050	32	127	3000	56°	Ø 190	215	2,5
70.00183.84.E.12.CG	DLN 190 DR/4500lm/840/E/12/CG	4500	4050	32	127	4000	12°	Ø 190	215	2,5
70.00183.84.E.22.CG	DLN 190 DR/4500lm/840/E/22/CG	4500	4050	32	127	4000	22°	Ø 190	215	2,5
70.00183.84.E.36.CG	DLN 190 DR/4500lm/840/E/36/CG	4500	4050	32	127	4000	36°	Ø 190	215	2,5
70.00183.84.E.56.CG	DLN 190 DR/4500lm/840/E/56/CG	4500	4050	32	127	4000	56°	Ø 190	215	2,5