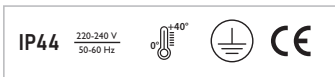


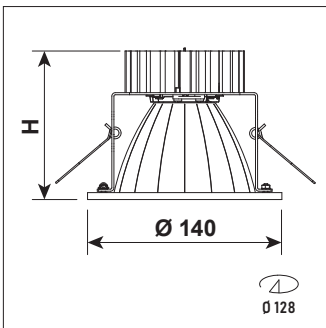
# DS 140

Recessed LED downlight for installation in suspended ceilings.

<b>Mounting:</b>	Ceiling recessed, mounting brackets included
<b>Body material:</b>	Steel and aluminium
<b>Colour:</b>	Standard White RAL 9016, other RAL colours on request (please add RAL colour after index number)
<b>LED module:</b>	Signify (Philips), Osram, Tridonic or equivalent LED module included
<b>Colour temperature:</b>	3000/4000K, other on request
<b>Colour Rendering Index (CRI):</b>	>80 in standard, other on request
<b>Driver:</b>	EVG/DALI on request
<b>Emergency unit:</b>	On request - Standard or DALI 3 hour emergency unit
<b>Movement sensor:</b>	N/A
<b>Daylight control sensor:</b>	N/A
<b>Operating temperature range:</b>	0°C ... +40°C
<b>IP Class:</b>	IP44 in standard
<b>Power:</b>	220-240V 50/60Hz
<b>Lighting direction:</b>	Direct lighting
<b>Reflector type:</b>	Aluminium glossy
<b>Light distribution:</b>	Symmetric
<b>Reflector beam angle:</b>	16°/24°/36°/54°
<b>Diffuser:</b>	Clear or frosted glass on request
<b>General data:</b>	5 Years standard warranty



## Drawing



Energy saving MasterConnect wireless lighting control system with daylight and movement detection technology on request.



Different lumen output or wattage available on request

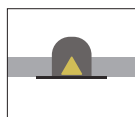
All other technical features such as: Luminaire Efficacy, LOR, Lumen maintenance L/B etc. available in our pricelist

Wattage of products may vary due to constant LED efficacy improvements. Luminous flux & Luminaire Power tolerance +/- 10%.

System power consumption (LED module & driver) depends on components used

Efficacy depends on type of LED's, electronics, optics and diffuser and may differ from shown in our data pages. Most up to date information can be found in our lighting data file database.

## Available versions



### DS 140

Product code	Product name	Gross Lumen [lm]	Nett Lumen [lm]	Power [W]	Efficacy [lm/W]	Colour temperature [K]	Optics	Diameter [mm]	Height [mm]	Nett Weight [kg]
<b>Recessed luminaire for mounting in suspended ceiling</b>										
40.00020.83.E.12.CG	DS 140/1300lm/830/E/12/CG	1300	1261	8	158	3000	12°	Ø 140	110	0,8
40.00020.83.E.22.CG	DS 140/1300lm/830/E/22/CG	1300	1261	8	158	3000	22°	Ø 140	110	0,8
40.00020.83.E.36.CG	DS 140/1300lm/830/E/36/CG	1300	1261	8	158	3000	36°	Ø 140	110	0,8
40.00020.83.E.56.CG	DS 140/1300lm/830/E/56/CG	1300	1261	8	158	3000	56°	Ø 140	110	0,8
40.00020.84.E.12.CG	DS 140/1300lm/840/E/12/CG	1300	1261	8	158	4000	12°	Ø 140	110	0,8
40.00020.84.E.22.CG	DS 140/1300lm/840/E/22/CG	1300	1261	8	158	4000	22°	Ø 140	110	0,8
40.00020.84.E.36.CG	DS 140/1300lm/840/E/36/CG	1300	1261	8	158	4000	36°	Ø 140	110	0,8
40.00020.84.E.56.CG	DS 140/1300lm/840/E/56/CG	1300	1261	8	158	4000	56°	Ø 140	110	0,8
40.00021.83.E.12.CG	DS 140/2000lm/830/E/12/CG	2000	1940	12	162	3000	12°	Ø 140	110	0,8
40.00021.83.E.22.CG	DS 140/2000lm/830/E/22/CG	2000	1940	12	162	3000	22°	Ø 140	110	0,8
40.00021.83.E.36.CG	DS 140/2000lm/830/E/36/CG	2000	1940	12	162	3000	36°	Ø 140	110	0,8
40.00021.83.E.56.CG	DS 140/2000lm/830/E/56/CG	2000	1940	12	162	3000	56°	Ø 140	110	0,8
40.00021.84.E.12.CG	DS 140/2000lm/840/E/12/CG	2000	1940	12	162	4000	12°	Ø 140	110	0,8
40.00021.84.E.22.CG	DS 140/2000lm/840/E/22/CG	2000	1940	12	162	4000	22°	Ø 140	110	0,8
40.00021.84.E.36.CG	DS 140/2000lm/840/E/36/CG	2000	1940	12	162	4000	36°	Ø 140	110	0,8
40.00021.84.E.56.CG	DS 140/2000lm/840/E/56/CG	2000	1940	12	162	4000	56°	Ø 140	110	0,8
40.00022.83.E.12.CG	DS 140/3000lm/830/E/12/CG	3000	2910	20	146	3000	12°	Ø 140	110	0,8
40.00022.83.E.22.CG	DS 140/3000lm/830/E/22/CG	3000	2910	20	146	3000	22°	Ø 140	110	0,8
40.00022.83.E.36.CG	DS 140/3000lm/830/E/36/CG	3000	2910	20	146	3000	36°	Ø 140	110	0,8
40.00022.83.E.56.CG	DS 140/3000lm/830/E/56/CG	3000	2910	20	146	3000	56°	Ø 140	110	0,8
40.00022.84.E.12.CG	DS 140/3000lm/840/E/12/CG	3000	2910	20	146	4000	12°	Ø 140	110	0,8
40.00022.84.E.22.CG	DS 140/3000lm/840/E/22/CG	3000	2910	20	146	4000	22°	Ø 140	110	0,8
40.00022.84.E.36.CG	DS 140/3000lm/840/E/36/CG	3000	2910	20	146	4000	36°	Ø 140	110	0,8
40.00022.84.E.56.CG	DS 140/3000lm/840/E/56/CG	3000	2910	20	146	4000	56°	Ø 140	110	0,8
40.00023.83.E.12.CG	DS 140/4000lm/830/E/12/CG	4000	3880	27	144	3000	12°	Ø 140	110	0,8
40.00023.83.E.22.CG	DS 140/4000lm/830/E/22/CG	4000	3880	27	144	3000	22°	Ø 140	110	0,8
40.00023.83.E.36.CG	DS 140/4000lm/830/E/36/CG	4000	3880	27	144	3000	36°	Ø 140	110	0,8
40.00023.83.E.56.CG	DS 140/4000lm/830/E/56/CG	4000	3880	27	144	3000	56°	Ø 140	110	0,8
40.00023.84.E.12.CG	DS 140/4000lm/840/E/12/CG	4000	3880	27	144	4000	12°	Ø 140	110	0,8
40.00023.84.E.22.CG	DS 140/4000lm/840/E/22/CG	4000	3880	27	144	4000	22°	Ø 140	110	0,8
40.00023.84.E.36.CG	DS 140/4000lm/840/E/36/CG	4000	3880	27	144	4000	36°	Ø 140	110	0,8
40.00023.84.E.56.CG	DS 140/4000lm/840/E/56/CG	4000	3880	27	144	4000	56°	Ø 140	110	0,8