

KING SIZE SYSTEM

Suspended lighting system with direct or direct/indirect light

- Mounting:** Suspended on steel wire suspension
- Body material:** Steel and aluminium
- Colour:** Standard White RAL 9016, other RAL colours on request
- LED module:** Signify (Philips) or equivalent LED module included
- Colour temperature:** 3000K/4000K/Tunable White
- Colour Rendering Index (CRI):** >80 in standard, >90 on request
- Driver:** EVG/DALI/MasterConnect on request
- Emergency unit:** N/A
- Movement sensor:** Remote MC sensor on request
- Daylight control sensor:** Remote MC sensor on request
- Operating temperature range:** 0°C ... +40°C
- IP Class:** IP20 in standard, IP44 on request
- Power:** 220-240V 50/60Hz
- Lighting direction:** Direct/Direct-indirect
- Light distribution:** Symmetric
- Diffuser:** OP (Opal)
- General data:** 5 Years standard warranty

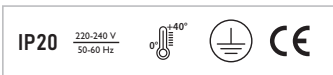
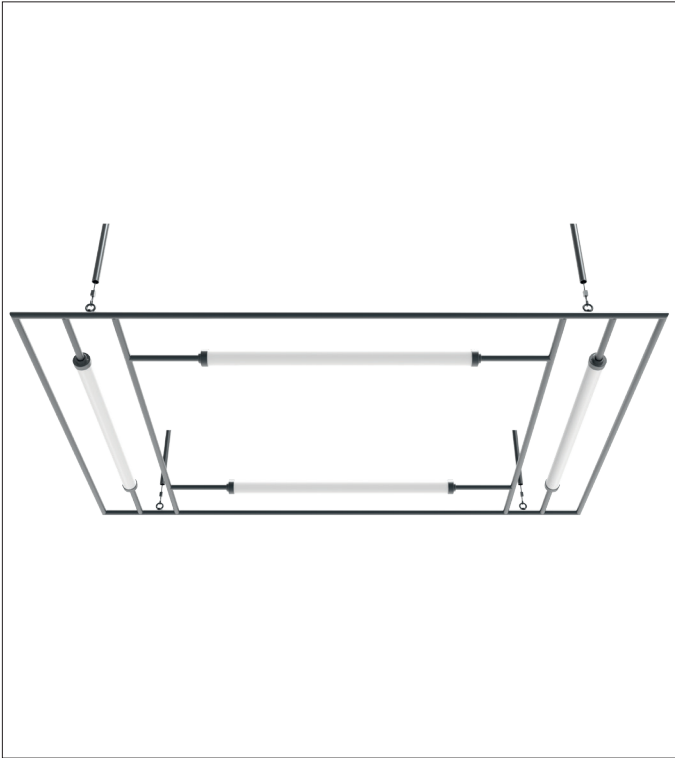
Different lumen output or wattage available on request

All other technical features such as: Luminaire Efficacy, LOR, Lumen maintenance L/B etc. available in our pricelist

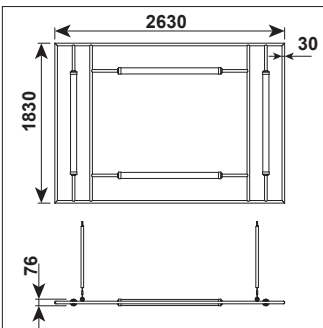
Wattage of products may vary due to constant LED efficacy improvements. Luminous flux & Luminaire Power tolerance +/- 10%.

System power consumption (LED module & driver) depends on components used

Efficacy depends on type of LED's, electronics, optics and diffuser and may differ from shown in our data pages. Most up to date information can be found in our lighting data file database.



Drawing



Energy saving MasterConnect wireless lighting control system with daylight and movement detection technology on request.



Available versions

KING SIZE SYSTEM

Product code	Product name	Gross Lumen [lm]	Nett Lumen [lm]	Power [W]	Efficacy [lm/W]	Colour temperature [K]	Length [mm]	Width [mm]	Height [mm]
Suspended lighting system with direct or direct/indirect light									
50.00150.83.E.ACT	KING SIZE SYSTEM/17600lm/830/E/ACT	17600	12320	104	118	3000	2630	1830	80
50.00150.84.E.ACT	KING SIZE SYSTEM/17600lm/840/E/ACT	17600	12320	104	118	4000	2630	1830	80
50.00150.TW.DT8.ACT	KING SIZE SYSTEM/17600lm/TW/DT8/ACT	17600	12320	112	110	2700-6500	2630	1830	80
50.00151.83.E.ACT	KING SIZE SYSTEM/35200lm/830/E/ACT	35200	24640	208	118	3000	2630	1830	80
50.00151.84.E.ACT	KING SIZE SYSTEM/35200lm/840/E/ACT	35200	24640	208	118	4000	2630	1830	80
50.00151.TW.DT8.ACT	KING SIZE SYSTEM/35200lm/TW/DT8/ACT	35200	24640	224	110	2700-6500	2630	1830	80