

PLAFO 1100

Pendant LED luminaire.

Mounting:	On 1,5m long steel wire suspension (with wire length control). Transparent power cable 1,5m long and steel wire suspension included.
Body material:	Steel and aluminium
Colour:	Standard White RAL 9016, other RAL colours on request (please add RAL colour after index number)
LED module:	Signify (Philips), Osram, Tridonic or equivalent LED module included
Colour temperature:	3000K or 4000K, other on request
Colour Rendering Index (CRI):	>80 in standard, other on request
Driver:	EVG/DALI on request
Emergency unit:	N/A
Movement sensor:	On request
Daylight control sensor:	On request
Operating temperature range:	0°C ... +40°C
IP Class:	IP20 in standard, IP44 on request
Power:	220-240V 50/60Hz
Lighting direction:	Direct or direct/indirect
Light distribution:	Symmetric
Diffuser:	OP (Opal), MP (Microprismatic)
General data:	5 Years standard warranty

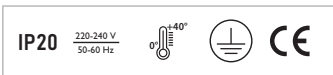
Different lumen output or wattage available on request

All other technical features such as: Luminaire Efficacy, LOR, Lumen maintenance L/B etc. available in our pricelist

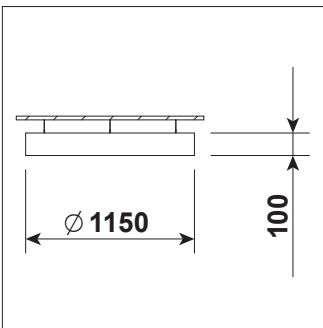
Wattage of products may vary due to constant LED efficacy improvements. Luminous flux & Luminaire Power tolerance +/- 10%.

System power consumption (LED module & driver) depends on components used

Efficacy depends on type of LED's, electronics, optics and diffuser and may differ from shown in our data pages. Most up to date information can be found in our lighting data file database.



Drawing



Energy saving MasterConnect wireless lighting control system with daylight and movement detection technology on request.



Available versions



PLAFO 1100

Product code	Product name	Gross Lumen [lm]	Nett Lumen [lm]	Power [W]	Efficacy [lm/W]	Colour temperature [K]	Diameter [mm]	Height [mm]	Nett Weight [kg]
Suspended, light down (suspension set and power cable with ceiling cup included)									
20.00070.83.E.OP	PLAFO 1100 PND DN/21000 lm/830/E/OP	21000	18000	135	133	3000	Ø 1150	100	20,5
20.00070.84.E.OP	PLAFO 1100 PND DN/21000 lm/840/E/OP	21000	18000	135	133	4000	Ø 1150	100	20,5
20.00070.83.E.MP	PLAFO 1100 PND DN/21000 lm/830/E/MP	21000	17000	135	126	3000	Ø 1150	100	20,5
20.00070.84.E.MP	PLAFO 1100 PND DN/21000 lm/840/E/MP	21000	17000	135	126	4000	Ø 1150	100	20,5
Suspended, light up/down with extra LED modules for uplight (suspension set and power cable with ceiling cup included)									
20.00071.83.E.OP	PLAFO 1100 PND UP_DN/26500 lm/830/E/OP	26500	22500	171	132	3000	Ø 1150	100	21,9
20.00071.84.E.OP	PLAFO 1100 PND UP_DN/26500 lm/840/E/OP	26500	22500	171	132	4000	Ø 1150	100	21,9
20.00071.83.E.MP	PLAFO 1100 PND UP_DN/26500 lm/830/E/MP	26500	21500	171	126	3000	Ø 1150	100	21,9
20.00071.84.E.MP	PLAFO 1100 PND UP_DN/26500 lm/840/E/MP	26500	21500	171	126	4000	Ø 1150	100	21,9

Pendant with direct light

Pendant with direct/indirect light

