

# SATURN 1500

Pendant direct or direct/indirect LED luminaire.

<b>Mounting:</b>	Suspended on 1,5m long steel wire suspension (with wire length control)
<b>Body material:</b>	Steel and aluminium
<b>Colour:</b>	Standard White RAL 9016, other RAL colours on request (please add RAL colour after index number)
<b>LED module:</b>	Signify (Philips), Osram, Tridonic or equivalent LED module included
<b>Colour temperature:</b>	3000/4000K, other on request
<b>Colour Rendering Index (CRI):</b>	>80 in standard, other on request
<b>Driver:</b>	EVG/DALI on request
<b>Emergency unit:</b>	On request - Standard or DALI 3 hour emergency unit
<b>Movement sensor:</b>	on request
<b>Daylight control sensor:</b>	on request
<b>Operating temperature range:</b>	0°C ... +40°C
<b>IP Class:</b>	IP20 in standard, IP44 on request
<b>Power:</b>	220-240V 50/60Hz
<b>Lighting direction:</b>	Direct lighting or direct/indirect lighting
<b>Light distribution:</b>	Symmetric
<b>Diffuser:</b>	OP (Opal)
<b>General data:</b>	5 Years standard warranty

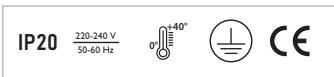
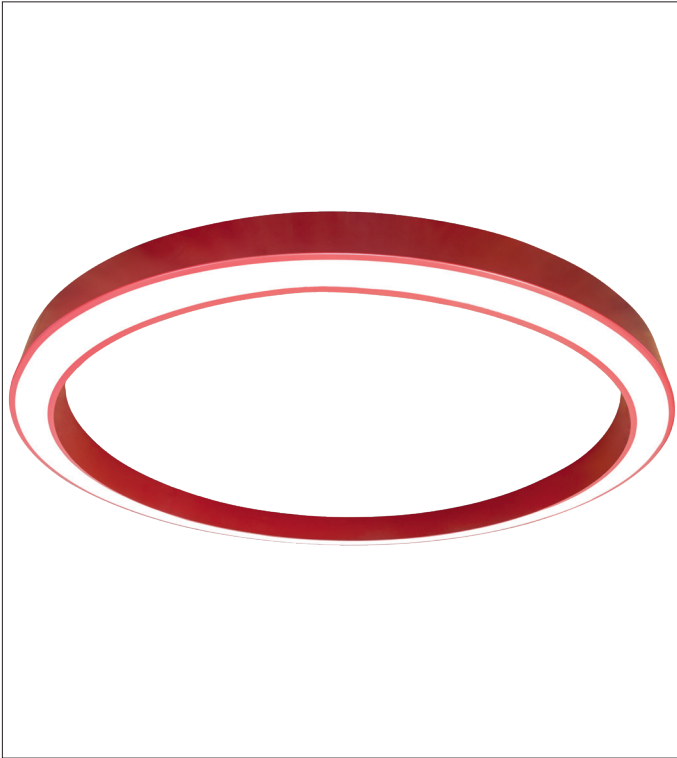
Different lumen output or wattage available on request

All other technical features such as: Luminaire Efficacy, LOR, Lumen maintenance L/B etc. available in our pricelist

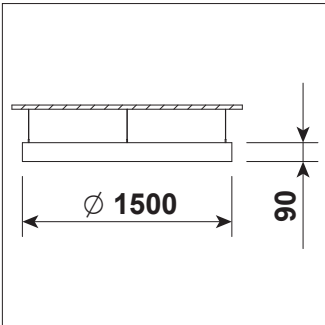
Wattage of products may vary due to constant LED efficacy improvements. Luminous flux & Luminaire Power tolerance +/- 10%.

System power consumption (LED module & driver) depends on components used

Efficacy depends on type of LED's, electronics, optics and diffuser and may differ from shown in our data pages. Most up to date information can be found in our lighting data file database.



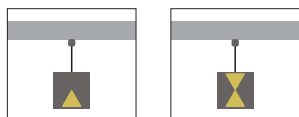
## Drawing



Energy saving MasterConnect wireless lighting control system with daylight and movement detection technology on request.



## Available versions



### SATURN 1500

Product code	Product name	Gross Lumen [lm]	Nett Lumen [lm]	Power [W]	Efficacy [lm/W]	Colour temperature [K]	Diameter [mm]	Height [mm]	Nett Weight [kg]
<b>Suspended, light down (suspension set and power cable with ceiling cup included)</b>									
50.00070.83.E.OP	SATURN 1500/16500lm/830/E/OP	16500	9075	99	92	3000	Ø 1500	90	14,5
50.00070.84.E.OP	SATURN 1500/16500lm/840/E/OP	16500	9075	99	92	4000	Ø 1500	90	14,5
<b>Suspended, light up/down, reflected light only (suspension set and power cable with ceiling cup included)</b>									
50.00080.83.E.OP	SATURN 1500 UP_DN/16500lm/830/E/OP	16500	9075	99	92	3000	Ø 1500	90	14,5
50.00080.84.E.OP	SATURN 1500 UP_DN/16500lm/840/E/OP	16500	9075	99	92	4000	Ø 1500	90	14,5

### Pendant with direct light

### Pendant with direct/indirect light

