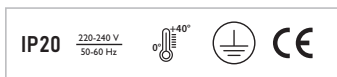
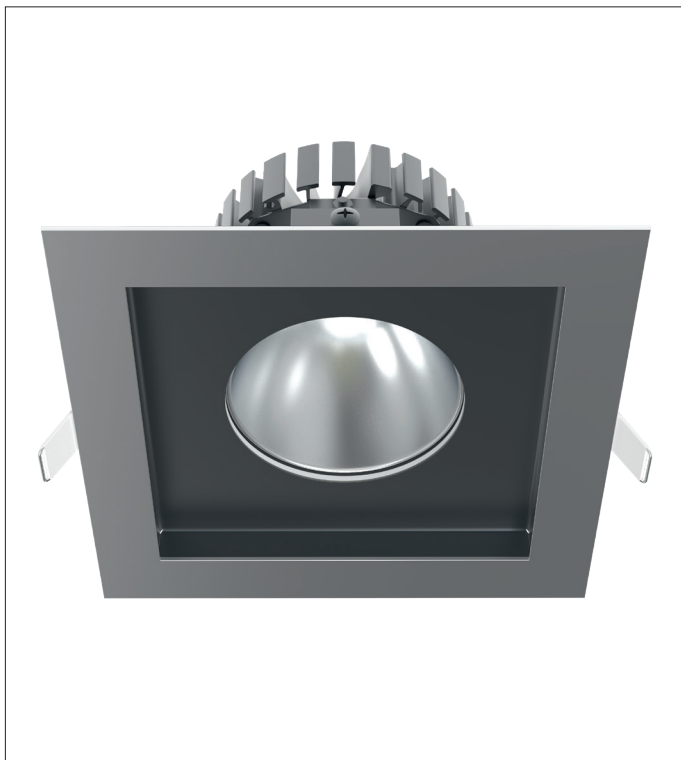


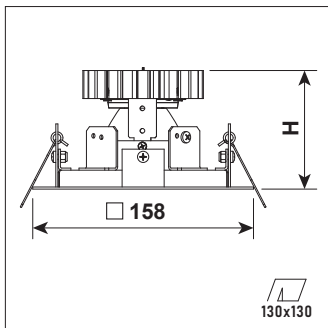
SQUARO

Recessed luminaire for mounting in suspended ceiling.

Mounting:	Ceiling recessed, mounting brackets included
Body material:	Steel and aluminium
Colour:	Standard White RAL 9016, other RAL colours on request (please add RAL colour after index number)
LED module:	Signify (Philips), Osram, Tridonic or equivalent LED module included
Colour temperature:	3000/4000K, other on request
Colour Rendering Index (CRI):	>80 in standard, other on request
Driver:	EVG/DALI on request
Emergency unit:	On request - Standard or DALI 3 hour emergency unit
Movement sensor:	N/A
Daylight control sensor:	N/A
Operating temperature range:	0°C ... +40°C
IP Class:	IP20 in standard, IP44 on request
Power:	220-240V 50/60Hz
Lighting direction:	Direct lighting
Reflector type:	Aluminium glossy
Light distribution:	Symmetric
Reflector beam angle:	16°/24°/36°/54°
Diffuser:	Clear or frosted glass on request
General data:	5 Years standard warranty, possible extension with project registration



Drawing



Energy saving MasterConnect wireless lighting control system with daylight and movement detection technology on request.



Different lumen output or wattage available on request

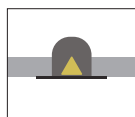
All other technical features such as: Luminaire Efficacy, LOR, Lumen maintenance L/B etc. available in our pricelist

Wattage of products may vary due to constant LED efficacy improvements. Luminous flux & Luminaire Power tolerance +/- 10%.

System power consumption (LED module & driver) depends on components used

Efficacy depends on type of LED's, electronics, optics and diffusor and may differ from shown in our data pages. Most up to date information can be found in our lighting data file database.

Available versions



SQUARO

Product code	Product name	Gross Lumen [lm]	Nett Lumen [lm]	Power [W]	Efficacy [lm/W]	Colour temperature [K]	Optics	Length [mm]	Width [mm]	Height [mm]	Nett Weight [kg]
Recessed luminaire for mounting in suspended ceiling											
40.00079.830.E.16.CG	SQUARO/1300lm/830/E/16/CG	1300	1196	8	150	3000	16°	158	158	100	1,1
40.00079.830.E.24.CG	SQUARO/1300lm/830/E/24/CG	1300	1196	8	150	3000	24°	158	158	100	1,1
40.00079.830.E.36.CG	SQUARO/1300lm/830/E/36/CG	1300	1196	8	150	3000	36°	158	158	100	1,1
40.00079.830.E.54.CG	SQUARO/1300lm/830/E/54/CG	1300	1196	8	150	3000	54°	158	158	100	1,1
40.00079.840.E.16.CG	SQUARO/1300lm/840/E/16/CG	1300	1196	8	150	4000	16°	158	158	100	1,1
40.00079.840.E.24.CG	SQUARO/1300lm/840/E/24/CG	1300	1196	8	150	4000	24°	158	158	100	1,1
40.00079.840.E.36.CG	SQUARO/1300lm/840/E/36/CG	1300	1196	8	150	4000	36°	158	158	100	1,1
40.00079.840.E.54.CG	SQUARO/1300lm/840/E/54/CG	1300	1196	8	150	4000	54°	158	158	100	1,1
40.00080.830.E.16.CG	SQUARO/2000lm/830/E/16/CG	2000	1840	12	153	3000	16°	158	158	100	1,1
40.00080.830.E.24.CG	SQUARO/2000lm/830/E/24/CG	2000	1840	12	153	3000	24°	158	158	100	1,1
40.00080.830.E.36.CG	SQUARO/2000lm/830/E/36/CG	2000	1840	12	153	3000	36°	158	158	100	1,1
40.00080.830.E.54.CG	SQUARO/2000lm/830/E/54/CG	2000	1840	12	153	3000	54°	158	158	100	1,1
40.00080.840.E.16.CG	SQUARO/2000lm/840/E/16/CG	2000	1840	12	153	4000	16°	158	158	100	1,1
40.00080.840.E.24.CG	SQUARO/2000lm/840/E/24/CG	2000	1840	12	153	4000	24°	158	158	100	1,1
40.00080.840.E.36.CG	SQUARO/2000lm/840/E/36/CG	2000	1840	12	153	4000	36°	158	158	100	1,1
40.00080.840.E.54.CG	SQUARO/2000lm/840/E/54/CG	2000	1840	12	153	4000	54°	158	158	100	1,1
40.00081.830.E.16.CG	SQUARO/3000lm/830/E/16/CG	3000	2760	20	138	3000	16°	158	158	100	1,1
40.00081.830.E.24.CG	SQUARO/3000lm/830/E/24/CG	3000	2760	20	138	3000	24°	158	158	100	1,1
40.00081.830.E.36.CG	SQUARO/3000lm/830/E/36/CG	3000	2760	20	138	3000	36°	158	158	100	1,1
40.00081.830.E.54.CG	SQUARO/3000lm/830/E/54/CG	3000	2760	20	138	3000	54°	158	158	100	1,1
40.00081.840.E.16.CG	SQUARO/3000lm/840/E/16/CG	3000	2760	20	138	4000	16°	158	158	100	1,1
40.00081.840.E.24.CG	SQUARO/3000lm/840/E/24/CG	3000	2760	20	138	4000	24°	158	158	100	1,1
40.00081.840.E.36.CG	SQUARO/3000lm/840/E/36/CG	3000	2760	20	138	4000	36°	158	158	100	1,1
40.00081.840.E.54.CG	SQUARO/3000lm/840/E/54/CG	3000	2760	20	138	4000	54°	158	158	100	1,1