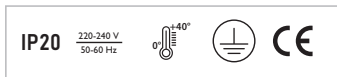


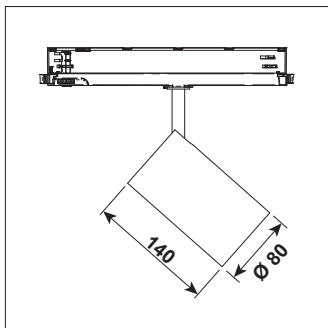
# TES ECO SPOT 2

LED spotlight for installation in universal track system.

<b>Mounting:</b>	Directly in 3 phase or DALI track
<b>Body material:</b>	Steel and aluminium
<b>Colour:</b>	Standard White RAL 9016, other RAL colours on request (please add RAL colour after index number)
<b>LED module:</b>	Signify (Philips), Osram, Tridonic or equivalent LED module included
<b>Colour temperature:</b>	3000/4000K, other on request
<b>Colour Rendering Index (CRI):</b>	>80 in standard
<b>Driver:</b>	Electronic integrated in track driver in standard, DALI on request
<b>Emergency unit:</b>	N/A
<b>Movement sensor:</b>	N/A
<b>Daylight control sensor:</b>	N/A
<b>Operating temperature range:</b>	0°C ... +40°C
<b>IP Class:</b>	IP20
<b>Power:</b>	220-240V 50/60Hz
<b>Lighting direction:</b>	Direct lighting with possibility of light direction adjustment
<b>Reflector type:</b>	Aluminium glossy
<b>Light distribution:</b>	Symmetric
<b>Reflector beam angle:</b>	16°, 24°, 36°, 54°
<b>Diffuser:</b>	N/A
<b>General data:</b>	5 Years standard warranty, possible extension with project registration



## Drawing



Energy saving MasterConnect wireless lighting control system with daylight and movement detection technology on request.



Different lumen output or wattage available on request

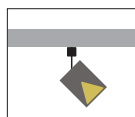
All other technical features such as: Luminaire Efficacy, LOR, Lumen maintenance L/B etc. available in our pricelist

Wattage of products may vary due to constant LED efficacy improvements. Luminous flux & Luminaire Power tolerance +/- 10%.

System power consumption (LED module & driver) depends on components used

Efficacy depends on type of LED's, electronics, optics and diffusor and may differ from shown in our data pages. Most up to date information can be found in our lighting data file database.

## Available versions



### TES ECO SPOT 2

Product code	Product name	Gross Lumen [lm]	Nett Lumen [lm]	Power [W]	Efficacy [lm/W]	Colour temperature [K]	Optics	Diameter [mm]	Height [mm]	Nett Weight [kg]
<b>Track mounted luminaire, driver integrated in track adaptor</b>										
30.00560.83.ET.16	TES ECO SPOT 2/2500lm/830/ET/16	2500	2300	17	135	3000	16°	Ø 80	140	0,7
30.00560.83.ET.24	TES ECO SPOT 2/2500lm/830/ET/24	2500	2300	17	135	3000	24°	Ø 80	140	0,7
30.00560.83.ET.36	TES ECO SPOT 2/2500lm/830/ET/36	2500	2300	17	135	3000	36°	Ø 80	140	0,7
30.00560.83.ET.54	TES ECO SPOT 2/2500lm/830/ET/54	2500	2300	17	135	3000	54°	Ø 80	140	0,7
30.00560.84.ET.16	TES ECO SPOT 2/2500lm/840/ET/16	2500	2300	17	135	4000	16°	Ø 80	140	0,7
30.00560.84.ET.24	TES ECO SPOT 2/2500lm/840/ET/24	2500	2300	17	135	4000	24°	Ø 80	140	0,7
30.00560.84.ET.36	TES ECO SPOT 2/2500lm/840/ET/36	2500	2300	17	135	4000	36°	Ø 80	140	0,7
30.00560.84.ET.54	TES ECO SPOT 2/2500lm/840/ET/54	2500	2300	17	135	4000	54°	Ø 80	140	0,7
30.00561.83.ET.16	TES ECO SPOT 2/3300lm/830/ET/16	3300	3036	23	132	3000	16°	Ø 80	140	0,7
30.00561.83.ET.24	TES ECO SPOT 2/3300lm/830/ET/24	3300	3036	23	132	3000	24°	Ø 80	140	0,7
30.00561.83.ET.36	TES ECO SPOT 2/3300lm/830/ET/36	3300	3036	23	132	3000	36°	Ø 80	140	0,7
30.00561.83.ET.54	TES ECO SPOT 2/3300lm/830/ET/54	3300	3036	23	132	3000	54°	Ø 80	140	0,7
30.00561.84.ET.16	TES ECO SPOT 2/3300lm/840/ET/16	3300	3036	23	132	4000	16°	Ø 80	140	0,7
30.00561.84.ET.24	TES ECO SPOT 2/3300lm/840/ET/24	3300	3036	23	132	4000	24°	Ø 80	140	0,7
30.00561.84.ET.36	TES ECO SPOT 2/3300lm/840/ET/36	3300	3036	23	132	4000	36°	Ø 80	140	0,7
30.00561.84.ET.54	TES ECO SPOT 2/3300lm/840/ET/54	3300	3036	23	132	4000	54°	Ø 80	140	0,7
30.00562.83.ET.16	TES ECO SPOT 2/3600lm/830/ET/16	3600	3312	27	123	3000	16°	Ø 80	140	0,7
30.00562.83.ET.24	TES ECO SPOT 2/3600lm/830/ET/24	3600	3312	27	123	3000	24°	Ø 80	140	0,7
30.00562.83.ET.36	TES ECO SPOT 2/3600lm/830/ET/36	3600	3312	27	123	3000	36°	Ø 80	140	0,7
30.00562.83.ET.54	TES ECO SPOT 2/3600lm/830/ET/54	3600	3312	27	123	3000	54°	Ø 80	140	0,7
30.00562.84.ET.16	TES ECO SPOT 2/3600lm/840/ET/16	3600	3312	27	123	4000	16°	Ø 80	140	0,7
30.00562.84.ET.24	TES ECO SPOT 2/3600lm/840/ET/24	3600	3312	27	123	4000	24°	Ø 80	140	0,7
30.00562.84.ET.36	TES ECO SPOT 2/3600lm/840/ET/36	3600	3312	27	123	4000	36°	Ø 80	140	0,7
30.00562.84.ET.54	TES ECO SPOT 2/3600lm/840/ET/54	3600	3312	27	123	4000	54°	Ø 80	140	0,7