

TUBE 80 SPOT LG

Ceiling mounted LED spotlight.

Mounting:	Directly on the ceiling.
Body material:	Steel and aluminium
Colour:	Standard White RAL 9016, other RAL colours on request (please add RAL colour after index number)
LED module:	Signify (Philips), Osram, Tridonic or equivalent LED module included
Colour temperature:	3000/4000K, other on request
Colour Rendering Index (CRI):	>80 in standard
Driver:	EVG/DALI on request
Emergency unit:	N/A
Movement sensor:	N/A
Daylight control sensor:	N/A
Operating temperature range:	0°C ... +40°C
IP Class:	IP20
Power:	220-240V 50/60Hz
Lighting direction:	Direct lighting with possibility of light direction adjustment
Reflector type:	Aluminium glossy
Light distribution:	Symmetric
Reflector beam angle:	16°, 24°, 36°, 54°
Diffuser:	N/A
General data:	5 Years standard warranty

Different lumen output or wattage available on request

All other technical features such as: Luminaire Efficacy, LOR, Lumen maintenance L/B etc. available in our pricelist

Wattage of products may vary due to constant LED efficacy improvements. Luminous flux & Luminaire Power tolerance +/- 10%.

System power consumption (LED module & driver) depends on components used

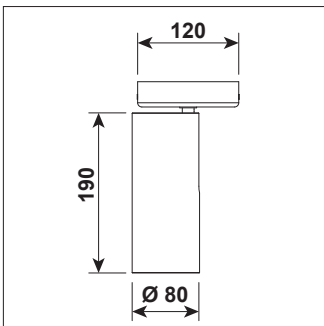
Efficacy depends on type of LED's, electronics, optics and diffuser and may differ from shown in our data pages. Most up to date information can be found in our lighting data file database.



IP20 220-240 V 50-60 Hz 0°/140°



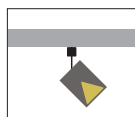
Drawing



Energy saving MasterConnect wireless lighting control system with daylight and movement detection technology on request.



Available versions



TUBE 80 SPOT LG

Product code	Product name	Gross Lumen [lm]	Nett Lumen [lm]	Power [W]	Efficacy [lm/W]	Colour temperature [K]	Optics	Diameter [mm]	Height [mm]	Nett Weight [kg]
Ceiling mounted luminaire										
30.00010.83.E.16	TUBE 80 SPOT LG/1300lm/830/E/16	1300	1196	8	150	3000	16°	Ø 80	190	0,7
30.00010.83.E.24	TUBE 80 SPOT LG/1300lm/830/E/24	1300	1196	8	150	3000	24°	Ø 80	190	0,7
30.00010.83.E.36	TUBE 80 SPOT LG/1300lm/830/E/36	1300	1196	8	150	3000	36°	Ø 80	190	0,7
30.00010.83.E.54	TUBE 80 SPOT LG/1300lm/830/E/54	1300	1196	8	150	3000	54°	Ø 80	190	0,7
30.00010.84.E.16	TUBE 80 SPOT LG/1300lm/840/E/16	1300	1196	8	150	4000	16°	Ø 80	190	0,7
30.00010.84.E.24	TUBE 80 SPOT LG/1300lm/840/E/24	1300	1196	8	150	4000	24°	Ø 80	190	0,7
30.00010.84.E.36	TUBE 80 SPOT LG/1300lm/840/E/36	1300	1196	8	150	4000	36°	Ø 80	190	0,7
30.00010.84.E.54	TUBE 80 SPOT LG/1300lm/840/E/54	1300	1196	8	150	4000	54°	Ø 80	190	0,7
30.00012.83.E.16	TUBE 80 SPOT LG/2000lm/830/E/16	2000	1840	12	153	3000	16°	Ø 80	190	0,7
30.00012.83.E.24	TUBE 80 SPOT LG/2000lm/830/E/24	2000	1840	12	153	3000	24°	Ø 80	190	0,7
30.00012.83.E.36	TUBE 80 SPOT LG/2000lm/830/E/36	2000	1840	12	153	3000	36°	Ø 80	190	0,7
30.00012.83.E.54	TUBE 80 SPOT LG/2000lm/830/E/54	2000	1840	12	153	3000	54°	Ø 80	190	0,7
30.00012.84.E.16	TUBE 80 SPOT LG/2000lm/840/E/16	2000	1840	12	153	4000	16°	Ø 80	190	0,7
30.00012.84.E.24	TUBE 80 SPOT LG/2000lm/840/E/24	2000	1840	12	153	4000	24°	Ø 80	190	0,7
30.00012.84.E.36	TUBE 80 SPOT LG/2000lm/840/E/36	2000	1840	12	153	4000	36°	Ø 80	190	0,7
30.00012.84.E.54	TUBE 80 SPOT LG/2000lm/840/E/54	2000	1840	12	153	4000	54°	Ø 80	190	0,7
30.00013.83.E.16	TUBE 80 SPOT LG/3000lm/830/E/16	3000	2760	20	138	3000	16°	Ø 80	190	0,7
30.00013.83.E.24	TUBE 80 SPOT LG/3000lm/830/E/24	3000	2760	20	138	3000	24°	Ø 80	190	0,7
30.00013.83.E.36	TUBE 80 SPOT LG/3000lm/830/E/36	3000	2760	20	138	3000	36°	Ø 80	190	0,7
30.00013.83.E.54	TUBE 80 SPOT LG/3000lm/830/E/54	3000	2760	20	138	3000	54°	Ø 80	190	0,7
30.00013.84.E.16	TUBE 80 SPOT LG/3000lm/840/E/16	3000	2760	20	138	4000	16°	Ø 80	190	0,7
30.00013.84.E.24	TUBE 80 SPOT LG/3000lm/840/E/24	3000	2760	20	138	4000	24°	Ø 80	190	0,7
30.00013.84.E.36	TUBE 80 SPOT LG/3000lm/840/E/36	3000	2760	20	138	4000	36°	Ø 80	190	0,7
30.00013.84.E.54	TUBE 80 SPOT LG/3000lm/840/E/54	3000	2760	20	138	4000	54°	Ø 80	190	0,7