

XLR 600 XC

Recessed LED luminaire with EasyAir daylight&presence lighting control system for installation in modular suspended ceilings. Luminaire can be also surface mounted.

Mounting:	Modular ceiling lay in type in standard or surface mounted.
Body material:	Steel and aluminium
Colour:	Standard White RAL 9016, other RAL colours on request (please add RAL colour after index number)
LED module:	Signify (Philips), Osram, Tridonic or equivalent LED module included
Colour temperature:	3000/4000K, other on request
Colour Rendering Index (CRI):	>80 in standard, other on request
Driver:	Xitanium SR
Emergency unit:	On request
Movement sensor:	EasyAir sensor included
Daylight control sensor:	EasyAir sensor included
Operating temperature range:	0°C ... +40°C
IP Class:	IP44
Power:	220-240V 50/60Hz
Lighting direction:	Direct
Diffuser:	OP (Opal), MP (Microprismatic), MP19 (Microprismatic with UGR<19)
Reflector type:	White
Light distribution:	Symmetric
General data:	5 Years standard warranty

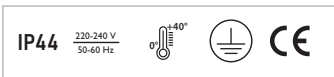
Different lumen output or wattage available on request

All other technical features such as: Luminaire Efficacy, LOR, Lumen maintenance L/B etc. available in our pricelist

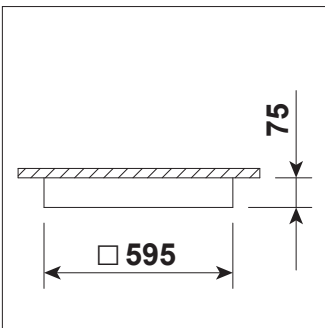
Wattage of products may vary due to constant LED efficacy improvements. Luminous flux & Luminaire Power tolerance +/- 10%.

System power consumption (LED module & driver) depends on components used

Efficacy depends on type of LED's, electronics, optics and diffuser and may differ from shown in our data pages. Most up to date information can be found in our lighting data file database.



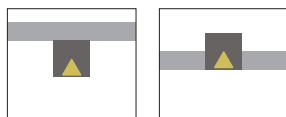
Drawing



Energy saving EasyAir daylight and movement detection technology inside



Available versions



XLR 600 XC

Product code	Product name	Gross Lumen [lm]	Nett Lumen [lm]	Power [W]	Efficacy [lm/W]	Colour temperature [K]	Length [mm]	Width [mm]	Height [mm]	Nett Weight [kg]
Universal luminaire for surface mounting or recessed for modular ceiling										
40.01040.83.XC.OP	XLR 600 XC/5000lm/830/XC/OP	5000	4450	30	148	3000	595	595	75	5,5
40.01040.84.XC.OP	XLR 600 XC/5000lm/840/XC/OP	5000	4450	30	148	4000	595	595	75	5,5
40.01040.83.XC.MP	XLR 600 XC/5000lm/830/XC/MP	5000	4250	30	142	3000	595	595	75	5,5
40.01040.84.XC.MP	XLR 600 XC/5000lm/840/XC/MP	5000	4250	30	142	4000	595	595	75	5,5
40.01040.83.XC.MP19	XLR 600 XC/5000lm/830/XC/MP19	5000	4250	30	142	3000	595	595	75	5,5
40.01040.84.XC.MP19	XLR 600 XC/5000lm/840/XC/MP19	5000	4250	30	142	4000	595	595	75	5,5