

DS 235



Round recessed downlight. Top quality COB LED module with colour consistency MacAdams ≤ 3 , extensive portfolio of lumen ranges, CCTs and spectra. Variety of drivers: standard EVG on/off, DALI and wireless controlled as MasterConnect or Casambi on request. Remote, wireless occupancy & daylight sensor available to allow significant energy savings and wireless connectivity. Mounting without tools into any type of suspended ceiling. Body is made of aluminium and steel. Standard colour RAL 9003M any other colour from basic RAL range available at no extra cost. Selection of beam angles, lumen outputs and drivers allows to use this luminaire in different types of lighting projects.

Luminous flux & Luminaire Power tolerance up to 10%. System power consumption depends on components used. Luminous efficacy depends on type of LED's, electronics, optics and diffusor. The most up to date technical parameters can be found on our website and in database of LDT files.

Lighting direction:



PDF datasheet:



DS 235

| | |
|-------------------------------------|--|
| Mounting: | Recessed mounting |
| Body material: | Steel and aluminium |
| Colour: | Standard white RAL 9003M, other RAL colours on request |
| Lumen output: | Standard up to 4000 lm, any other on request |
| LED module: | Signify (Philips), Tridonic or equivalent COB LED module |
| Colour temperature: | 2700/3000/4000K/2700-6500K TW, other on request |
| Colour Rendering: | CRI>80 in standard, other on request |
| Driver: | EVG on-off/DALI/MC (MasterConnect)/Casambi, other on request |
| Wireless control: | Philips MasterConnect / Casambi, other on request |
| Daylight/Occupancy sensor: | Wireless ICS sensor |
| Emergency unit: | On request |
| Operating temperature range: | 0°C ... +35°C |
| IP Class: | IP20 in standard, IP44/20 on request |
| Power: | 220-240V 50/60Hz |
| Lighting direction: | Direct |
| Light distribution: | Symmetric |
| Optics: | Reflector |
| Beam angle: | 80° |
| Diffusor: | CG clear glass on request |
| Warranty: | 5 Years standard warranty |

DS 235 recessed mounted, light down

All current index numbers, lumen outputs, power consumption and many other technical information are available in our 2024 pricelist. Details on wireless lighting control systems on page number 896.



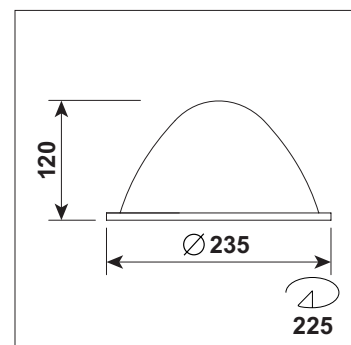
Energy saving MasterConnect wireless lighting control system with daylight and movement detection technology on request.



ICS wireless daylight&occ sensor



ICSW wireless switch



Basic dimensions



DS 235

| Product code | Product name | Gross Lumen [lm] | Nett Lumen [lm] | Power [W] | Efficacy [lm/W] | Colour temperature [K] | Optics | Diameter [mm] | Height [mm] | Nett Weight [kg] |
|------------------|--------------------------------|------------------|-----------------|-----------|-----------------|------------------------|--------|---------------|-------------|------------------|
| 40.02090.83.E.80 | DS 235 / 1300lm / 830 / E / 80 | 1300 | 1261 | 8 | 158 | 3000 | 80° | Ø 195 | 110 | 1,1 |
| 40.02090.84.E.80 | DS 235 / 1300lm / 840 / E / 80 | 1300 | 1261 | 8 | 158 | 4000 | 80° | Ø 195 | 110 | 1,1 |
| 40.02091.83.E.80 | DS 235 / 2000lm / 830 / E / 80 | 2000 | 1940 | 12 | 162 | 3000 | 80° | Ø 195 | 110 | 1,1 |
| 40.02091.84.E.80 | DS 235 / 2000lm / 840 / E / 80 | 2000 | 1940 | 12 | 162 | 4000 | 80° | Ø 195 | 110 | 1,1 |
| 40.02092.83.E.80 | DS 235 / 3000lm / 830 / E / 80 | 3000 | 2910 | 20 | 146 | 3000 | 80° | Ø 195 | 110 | 1,1 |
| 40.02092.84.E.80 | DS 235 / 3000lm / 840 / E / 80 | 3000 | 2910 | 20 | 146 | 4000 | 80° | Ø 195 | 110 | 1,1 |