

# FIFTYSIX



Triangular shaped wall mounted luminaire. Top quality SMD LED module with colour consistency MacAdams  $\leq 3$ , extensive portfolio of lumen ranges, CCTs and spectra. Variety of drivers: standard EVG on/off, DALI and wireless controlled as MasterConnect or Casambi on request. Built-in or remote, wireless occupancy & daylight sensor available to allow significant energy savings and wireless connectivity. Mounting on any type of ceiling or wall. Body is made of aluminium and steel. Standard colour RAL 9005S, any other colour from basic RAL range available at no extra cost. Variety of lumen outputs and drivers allows to use this luminaire in different types of lighting projects.

Luminous flux & Luminaire Power tolerance up to 10%. System power consumption depends on components used. Luminous efficacy depends on type of LED's, electronics, optics and diffusor. The most up to date technical parameters can be found on our website and in database of LDT files.

Lighting direction



PDF datasheet:



# FIFTYSIX

<b>Mounting:</b>	Wall mounting
<b>Body material:</b>	Steel and aluminium
<b>Colour:</b>	Standard black RAL 9005S, other RAL colours on request
<b>Lumen output:</b>	Standard up to 6600lm, any other on request
<b>LED module:</b>	Signify (Philips), Tridonic or equivalent SMD LED modules
<b>Colour temperature:</b>	2700/3000/4000K, other on request
<b>Colour Rendering:</b>	CRI>80 in standard, other on request
<b>Driver:</b>	EVG on-off,DALI,MC (MasterConnect), other on request
<b>Wireless control:</b>	MasterConnect / Casambi
<b>Daylight/Occupancy sensor:</b>	Built-in XC sensor / Wireless MC sensor
<b>Emergency unit:</b>	N/A
<b>Operating temperature range:</b>	0°C ... +35°C
<b>IP Class:</b>	IP20 in standard
<b>Power:</b>	220-240V 50/60Hz
<b>Lighting direction:</b>	Direct
<b>Light distribution:</b>	Symmetric
<b>Optics:</b>	N/A
<b>Beam angle:</b>	All types available in our LDT file database
<b>Diffuser:</b>	OP white acrylic
<b>Warranty:</b>	5 Years standard warranty

## FIFTYSIX wall mounted / light down

All current index numbers, lumen outputs, power consumption and many other technical information are available in our 2024 pricelist. Details on wireless lighting control systems on page number 896.



XC daylight&occ sensor



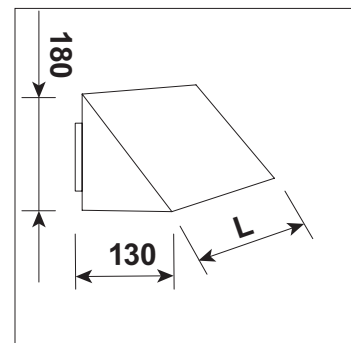
Energy saving MasterConnect wireless lighting control system with daylight and movement detection technology on request.



MCS wireless daylight&occ sensor



XCS wireless switch



Basic dimensions