

FUERA



IP66 luminaire with GRP body and stainless steel clips. Top quality SMD LED modules with colour consistency MacAdams 3, extensive portfolio of lumen ranges, CCTs and spectra. Variety of drivers: standard EVG on/off DALI and wireless controlled as MasterConnect on request. Remote, wireless occupancy & daylight sensor available to allow significant energy savings and wireless connectivity. Mounting on any type of ceiling. Body is made of compressed fibreglass reinforced polyester (GRP), grey RAL 7035. Variety lumen outputs and drivers allows to use this luminaire in different types of lighting projects.

Luminous flux & Luminaire Power tolerance up to 10%. System power consumption depends on components used. Luminous efficacy depends on type of LED's, electronics, optics and diffusor. The most up to date technical parameters can be found on our website and in database of LDT files.

Lighting direction



PDF datasheet:



FUERA

Mounting:	Surface mounted/suspended
Body material:	Compressed fibreglass reinforced polyester (GRP)
Colour:	Standard grey RAL 7035
Lumen output:	Standard up to 10.000 lm, any other on request
LED module:	Signify (Philips), Tridonic or equivalent SMD LED module
Colour temperature:	3000/4000K, other on request
Colour Rendering:	CRI>80 in standard, other on request
Driver:	EVG on-off, DALI, MC (MasterConnect), other on request
Wireless control:	Philips MasterConnect on request
Daylight/Occupancy sensor:	Wireless MCS IP65 sensor
Emergency unit:	On request
Operating temperature range:	-25°C ... +35°C
IP Class:	IP66 in standard
Power:	220-240V 50/60Hz
Lighting direction:	Direct lighting
Light distribution:	Symmetric
Beam angle:	110°
Diffuser:	PMMA with UV protection, frosted finish
Warranty:	5 Years standard warranty

FUERA surface mounted luminaire

FUERA PND suspended luminaire

All current index numbers, lumen outputs, power consumption and many other technical information are available in our 2024 pricelist. Details on wireless lighting control systems on page number 896.



MC control



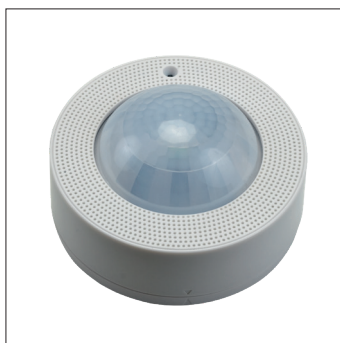
Zigbee



Bluetooth



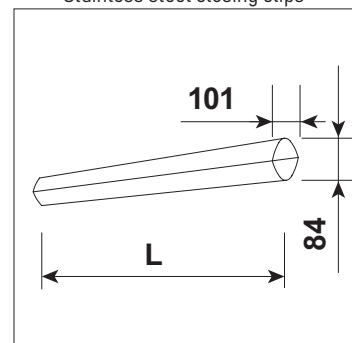
Stainless steel closing clips



MCS IP65 wireless daylight&occ sensor



XCS wireless switch



Basic dimensions