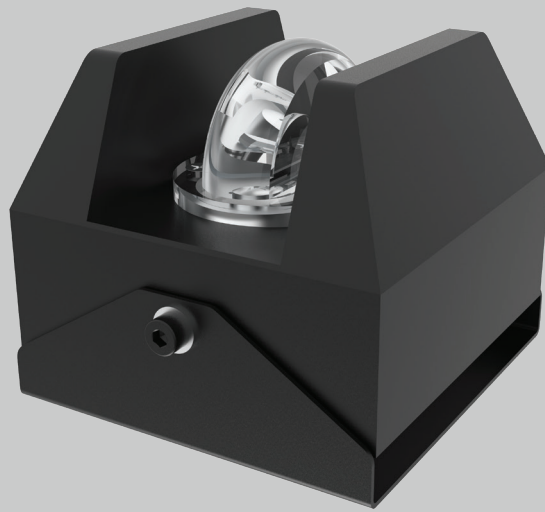


# LINER



Contour, IP66 luminaire for window recess illumination. Mounting on windowsill. Variety of drivers: standard EVG on/off driver, DALI or DMX on request. Standard one light colour temperature or RGBW version on request. Body is made of aluminium and painted in RAL 7016 any other colour on request. Selection of optics, lumen outputs and drivers allows to use this luminaire in different types of lighting projects. Standard luminaire is not intended for use in increased corrosivity category environment, e.g. with increased salt concentration. Extra corrosion protection is available on request. Luminous flux & Luminaire Power tolerance up to 10%. System power consumption depends on components used. Luminous efficacy depends on type of LED's, electronics, optics and diffusor. The most up to date technical parameters can be found on our website and in database of LDT files.

Lighting direction



PDF datasheet:

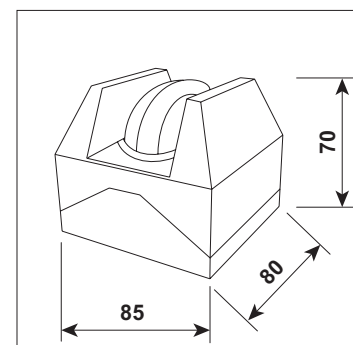


# LINER

<b>Mounting:</b>	Outside windowsill
<b>Body material:</b>	Aluminium and stainless steel
<b>Colour:</b>	Standard anthracite grey RAL 7016, other RAL colours on request
<b>Lumen output:</b>	Standard 490 lm any other on request
<b>LED module:</b>	Signify (Philips), Tridonic or equivalent SMD LED boards
<b>Colour temperature:</b>	2700/3000/4000K/RGBW, other on request
<b>Colour Rendering:</b>	CRI>80 in standard, other on request
<b>Driver:</b>	EVG on-off, DALI, DMX, other on request
<b>Wireless control:</b>	N/A
<b>Daylight/Occupancy sensor:</b>	N/A
<b>Emergency unit:</b>	N/A
<b>Operating temperature range:</b>	-20°C ... +40°C
<b>IP Class:</b>	IP66 in standard
<b>Power:</b>	220-240V 50/60Hz
<b>Lighting direction:</b>	Uplight
<b>Light distribution:</b>	Contour light
<b>Optics:</b>	Lens
<b>Beam angle:</b>	3x115° other on request
<b>Diffuser:</b>	clear PMMA
<b>Warranty:</b>	5 Years standard warranty

## LINER windowsill mounted luminaire

All current index numbers, lumen outputs, power consumption and many other technical information are available in our 2024 pricelist.



Basic dimensions