

DUO SURF AR LED LV



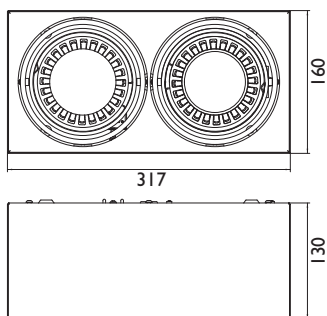
Surface mounted square adjustable LED luminaires.
 Body is made of steel and aluminum and is available in all RAL colours.
 Light source - Philips or OSRAM retrofit LED lamp included.
 High quality, energy efficient white LED light.
 Replacement for halogen lamps.

Applications:

Retail: shop windows, wall - washing, accent and display lighting

Hospitality: lobbies, reception areas, restaurants, bars, elevators

Recreation: museums, galleries, theatres and other public places



Index no.	Lumen output	Wattage	Colour temp.	Colour rendering index	Lifetime	Weight
003539.2740/827/9D	2 x 740 lm	2 x 12,5 W	2700 K	Ra > 80	45,000 h	2,56 kg
003539.2740/827/24D	2 x 740 lm	2 x 12,5 W	2700 K	Ra > 80	45,000 h	2,56 kg
003539.2740/830/24D	2 x 740 lm	2 x 12,5 W	3000 K	Ra > 80	45,000 h	2,56 kg
003539.2820/840/24D	2 x 820 lm	2 x 12,5 W	4000 K	Ra > 80	45,000 h	2,56 kg
003539.2740/827/40D	2 x 740 lm	2 x 12,5 W	2700 K	Ra > 80	45,000 h	2,56 kg
003539.2740/830/40D	2 x 740 lm	2 x 12,5 W	3000 K	Ra > 80	45,000 h	2,56 kg

